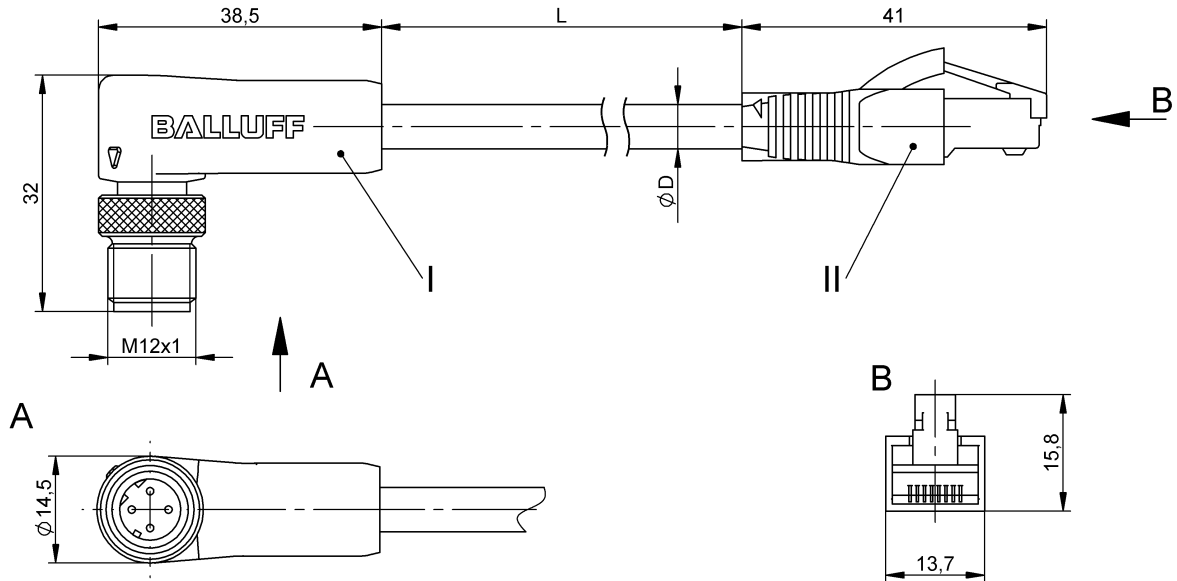


Double-Ended Cordsets
BCC M424-E894-8G-695-EX64N9-010
 Order Code: BCC0EZN

BALLUFF



Basic features

Application	Ethernet
Approval/Conformity	CE WEEE

Electrical connection

Bending radius min., flexible cable	10 x D
Cable	TPE teal, 1 m, drag chain compatible
Cable diameter D	5.50 mm ±0.13 mm
Cable, bending cycles min.	1 mil.
Cable, note	Ethernet
Conductor cross-section	24 AWG
Connection 1	M12x1-Male, angled, 4-pin, D-coded
Connection 2	RJ45-Male, straight, 4-pin
Number of conductors	4
System	Molded/Molded

Electrical data

Cable rated voltage AC max.	300 V
Cable rated voltage DC max.	300 V
Conductor construction	2x2 twisted-pair
Conductor resistance	≤ 26.0 Ohm/1000 ft
Coupling resistance max.	100 Ohm ±15 Ohm
Operating capacitance	13.5 pF/ft
Operating voltage Ub	42 VDC / 30 VAC
Rated current (40 °C)	1.0 A
Transfer rate	10/100 Mbit/s

Environmental conditions

Cable temperature, flexible routing	-40...105 °C
IP rating	IP67, IP68, IP69K/IP20

Material

Cable jacket, material	TPE
Material contact carrier	PUR/PA 6.6
Material contacts	Brass/Phosphor bronze, gold plated
Material cover nut	Brass nickel-plated
Material grip	PUR/PVC

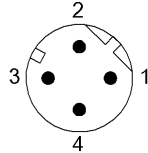
Mechanical data

Cable jacket, color	teal
Cable length L	1.00 m
Cable properties	drag chain compatible
Tightening torque pigtail	0.6 Nm/-

Remarks

Cable construction per UL CMX Outdoor
Enclosure rating per IEC 60529 or ISO 20653, only in screwed state with the associated mating piece.

Connector Drawings



II
PIN 1: white/orange
PIN 2: orange
PIN 3: white/green
PIN 4: not used
PIN 5: not used
PIN 6: green
PIN 7: not used
PIN 8: not used

I
PIN 1: white/orange
PIN 2: white/green
PIN 3: orange
PIN 4: green

Wiring Diagrams

